

auto electrical parts

Technical Information Sheet

Part No. 0-441-00

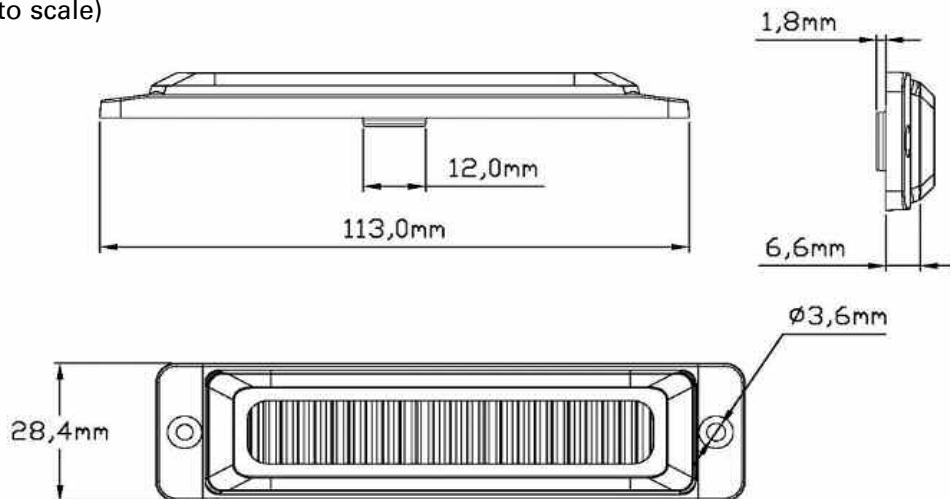
Ultra high intensity Amber 6 x 3W LED flush warning light. 12/24volt unit with 20 programmable flash sequences. Two bolt fixing. IP68. CE, ECE R65 Class 1 and SAE Class 1 approved.

Additional information

Red wire +ve supply
Black wire -ve ground
White wire alternating flash
Yellow wire synchronization and flash pattern



Technical Drawing (not to scale)



Specification

| | |
|-----------------------|----------------------------------|
| Type | Ultra high intensity LED |
| Colour | Amber |
| Number of LEDs | 6 x 3 watt |
| Voltage | 12/24 volt dc |
| Current | 0.70 amps at 12volts |
| Flash patterns | 20 |
| Base | Aluminium |
| Operating temperature | -20C - +50C |
| Protection | IP68 |
| Weight | 40g |
| Dimensions | l 113 x w 28.4 x h 9mm |
| Compliance | CE, ECE R65 Class 1, SAE Class 1 |

The information contained in this document is correct to the best of our knowledge at the time of printing. However, specifications may change at any time without notice.